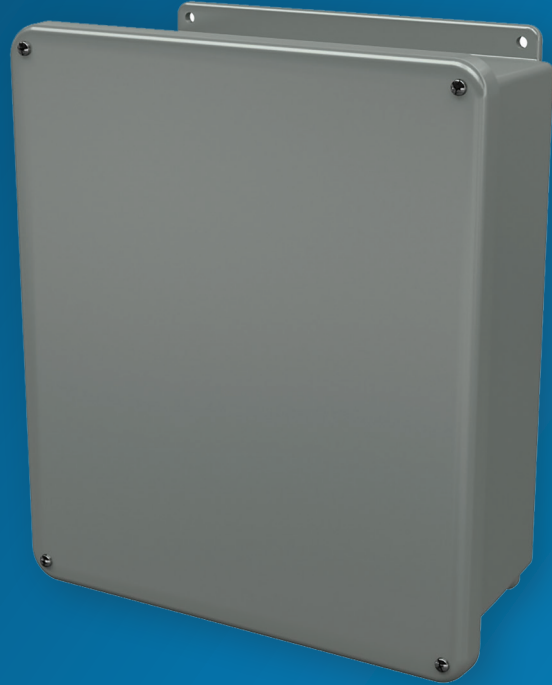


**PHILIPS**

CarePoint

Outdoor receiver box



# Technical specifications

Weather-tight enclosure houses the outdoor receiver that acquires signals from all wireless help and monitoring devices throughout the community and transmits them to the CarePoint central monitoring station.

## Features & benefits

---

**Provides CarePoint system coverage for residents when they are outdoors**

---

**Standby battery provides electrical power during power outages;**  
operating time without power is 12 hours minimum, 20°C, fully charged

---

**Constructed as durable, weather-resistant enclosure to withstand harsh environments**

---

## Specifications

**Power Input:** 95VAC to 130VAC, 60Hz, 1.5 Amps

**Battery:** 12V

**Operating Temperature:** 0°C to 60°C

**Receiver Range:** Up to 500 feet radius (open field, unobstructed)

**Radio Range:** Up to 1 mile (open field, unobstructed)

**Operating time without power (20°C, fully charged):** 12 hours minimum

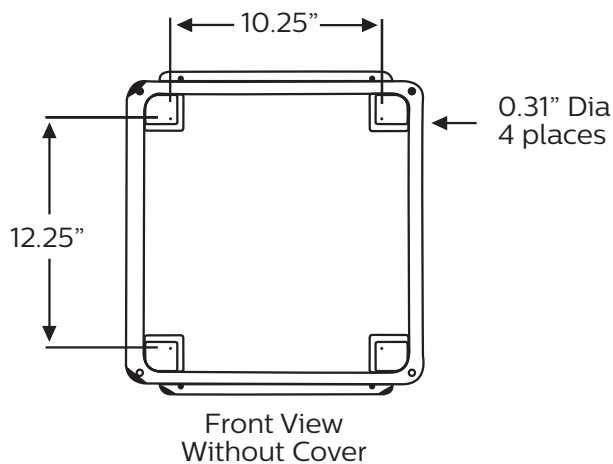
**Dimensions:** 16" x 14" x 6.5"

**Weight:** 18 lbs.

**Material:** Fiberglass reinforced thermoset polyester

**Color:** Gray

### Mounting Dimensions



## Ordering information

Description	Part number
Outdoor receiver box	1900513
Replacement 12V battery	0652018

© 2018 Koninklijke Philips N.V. All rights reserved.  
Specifications are subject to change without notice.  
Trademarks are the property of Koninklijke Philips N.V.  
or their respective owners.

[www.philips.com](http://www.philips.com)  
[www.philips.com/carepoint](http://www.philips.com/carepoint)

P/N: 300002873611, Rev A



Philips  
111 Lawrence Street  
Framingham, MA 01702-8156  
1-800-816-4885, option 1

Philips Lifeline Canada  
95 Barber Greene Road, Suite 105  
Toronto, Ontario, M3C 3E9 Canada  
1-800-387-8120